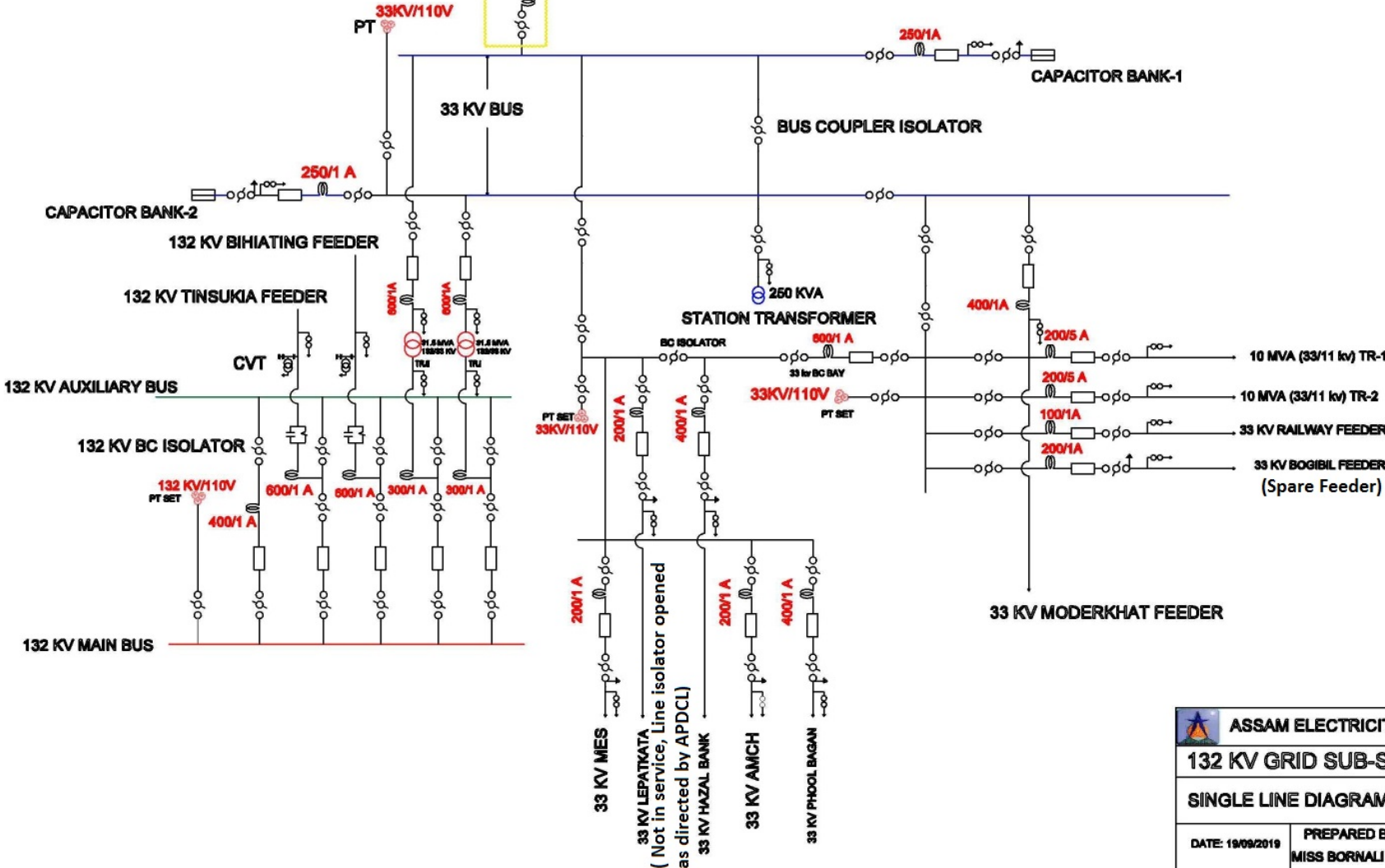


33 KV ROMAI FEEDER
Under construction(NERPSIP scheme)



colour codes

132 KV Main Bus	— (Red)
132 KV Auxiliary Bus	— (Green)
33 Kv Bus	— (Blue)

LEGEND

	LIGHTNING ARRESTER
	POWER TRANSFORMER
	STATION TRANSFORMER
	POTENTIAL TRANSFORMER SET
	CURRENT TRANSFORMER
	ISOLATOR WITH OUT EARTH SWITCH
	ISOLATOR WITH EARTH SWITCH
	CIRCUIT BREAKER
	CVT
	CAPACITOR BANK
	WAVE TRAP

ASSAM ELECTRICITY GRID CORPORATION LIMITED	
132 KV GRID SUB-STATION ,DIBRUGARH	
SINGLE LINE DIAGRAM OF 132 KV GSS,DIBRUGARH	
DATE: 19/09/2019	PREPARED BY: MISS BORNALI PHUKAN ,JM, 132 KV DIBRUGARH GSS