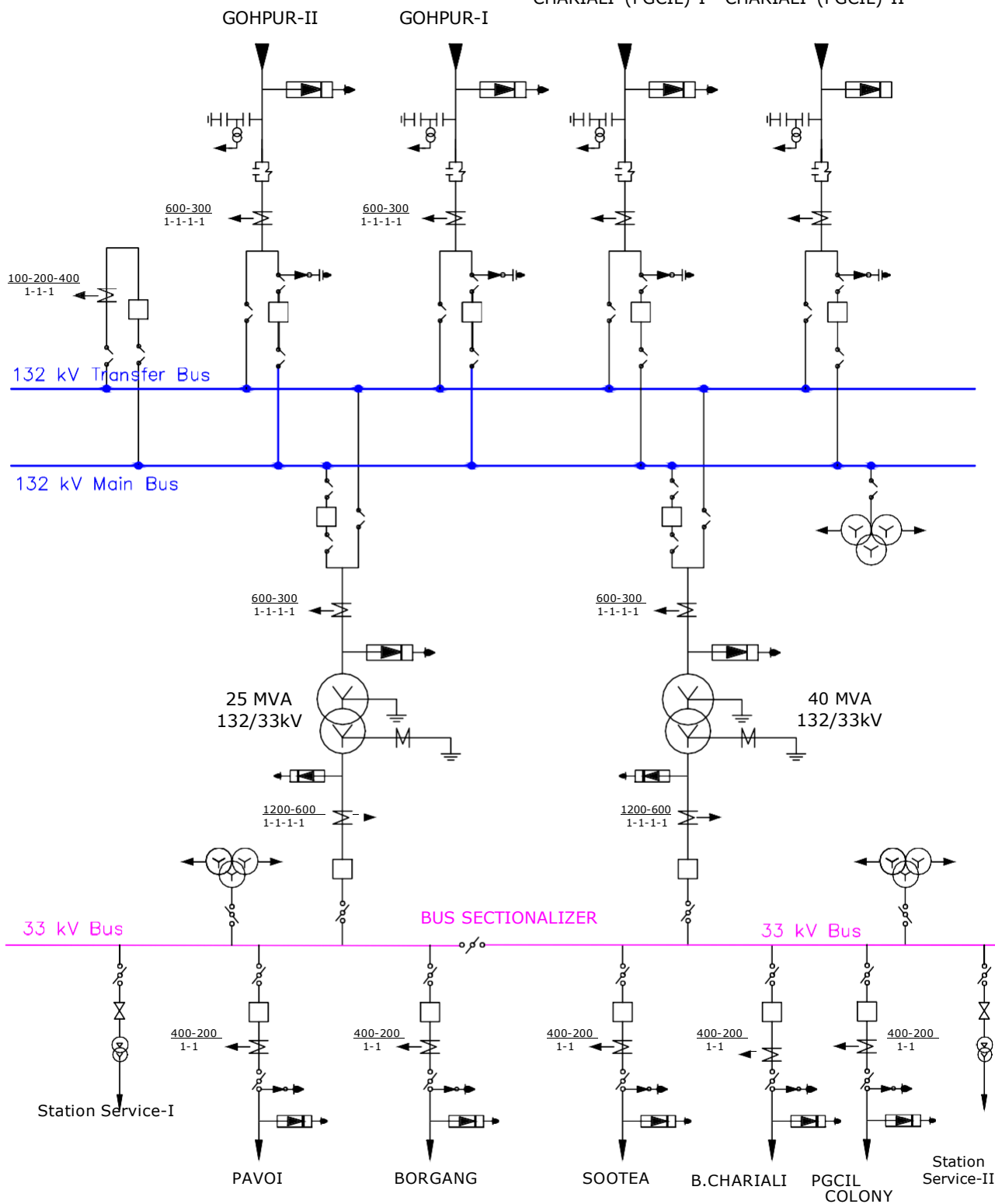


BISWANATH CHARIALI (PGCIL)-I BISWANATH CHARIALI (PGCIL)-II



EQUIPMENT LEGENDS

POWER TRANSFORMER	CIRCUIT BREAKER	ISOLATOR WITHOUT EB	ISOLATOR WITH EB	CURRENT TRANSFORMER	POTENTIAL TRANSFORMER	LIGHTNING ARRESTER	WAVE TRAP	CVT	
-------------------	-----------------	---------------------	------------------	---------------------	-----------------------	--------------------	-----------	-----	--

ASSAM ELECTRICITY GRID CORPORATION LIMITED	
132KV, BISWANATH CHARIALI SUB-STATION	
SINGLE LINE DIAGRAM OF 132/33 KV, BISWANATH CHARIALI SUBSTATION	
DRAWING NO.: AEGCL/B. CHARIALI/SLD/6	Sheet: 1 OF 1