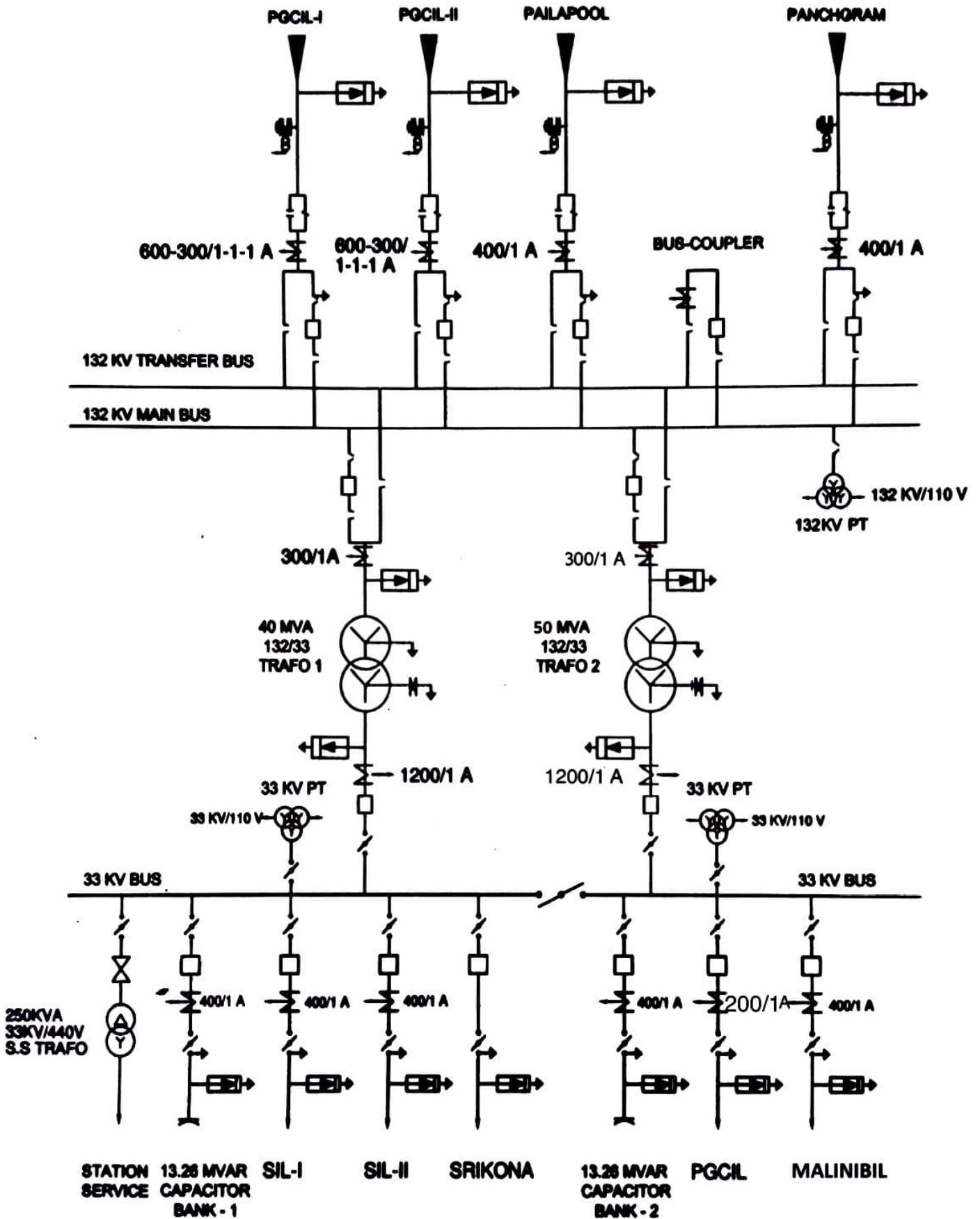


# SINGLE LINE DIAGRAM OF 132KV SRIKONA GRID SUB - STATION



POWER TRANSFORMER	CIRCUIT BREAKER	ISOLATOR WITH EB	ISOLATOR WITHOUT EB	CURRENT TRANSFORMER	POTENTIAL TRANSFORMER	LIGHTNING ARRESTER	WAVE TRAP	CVT	APT METER
-------------------	-----------------	------------------	---------------------	---------------------	-----------------------	--------------------	-----------	-----	-----------

ASSAM ELECTRICITY GRID CORPORATION LIMITED	
AS-01, 100/100, SILIGURDI, WESTBENGAL, INDIA	
KOLKATA-700016	
PHONE: 4401/4402	