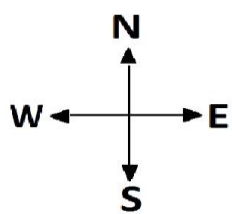
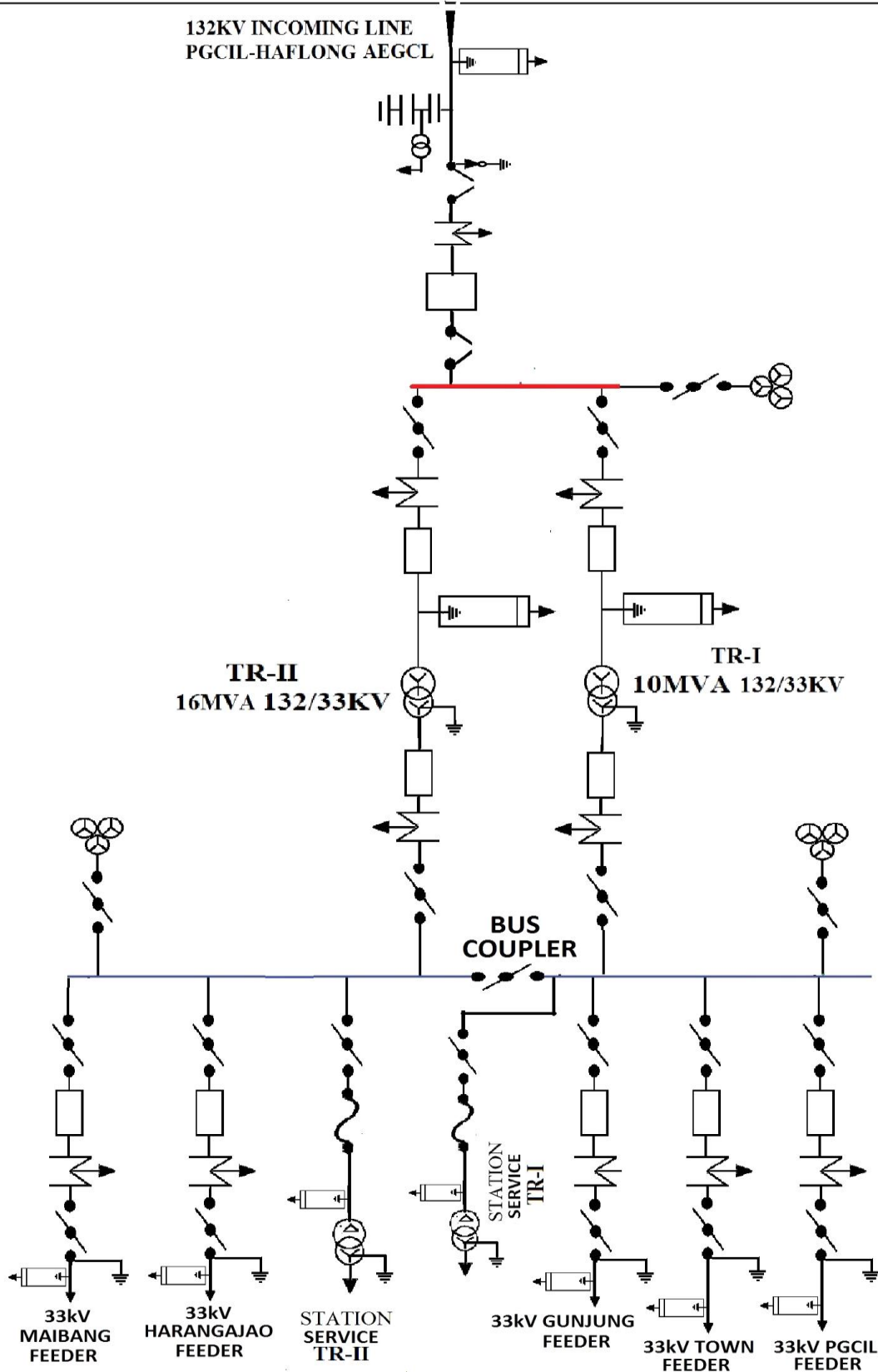


132KV INCOMING LINE  
PGCIL-HAFLONG AEGCL



**Equipment Legends :**

L.A.		<b>COLOUR CODES</b>
C.T.		
P.T.		132kV BUS
C.B.		33kV BUS
ISOLATER WITHOUT E/S		PROPOSED BAY
FUSE		
ISOLATER WITH E/S		
POWER TRANSFORMER		
CVT		

**ASSAM ELECTRICITY GRID CORPORATION LIMITED**  
**132/33kV GRID SUB-STATION, HAFLONG**  
**SINGLE LINE DIAGRAM**