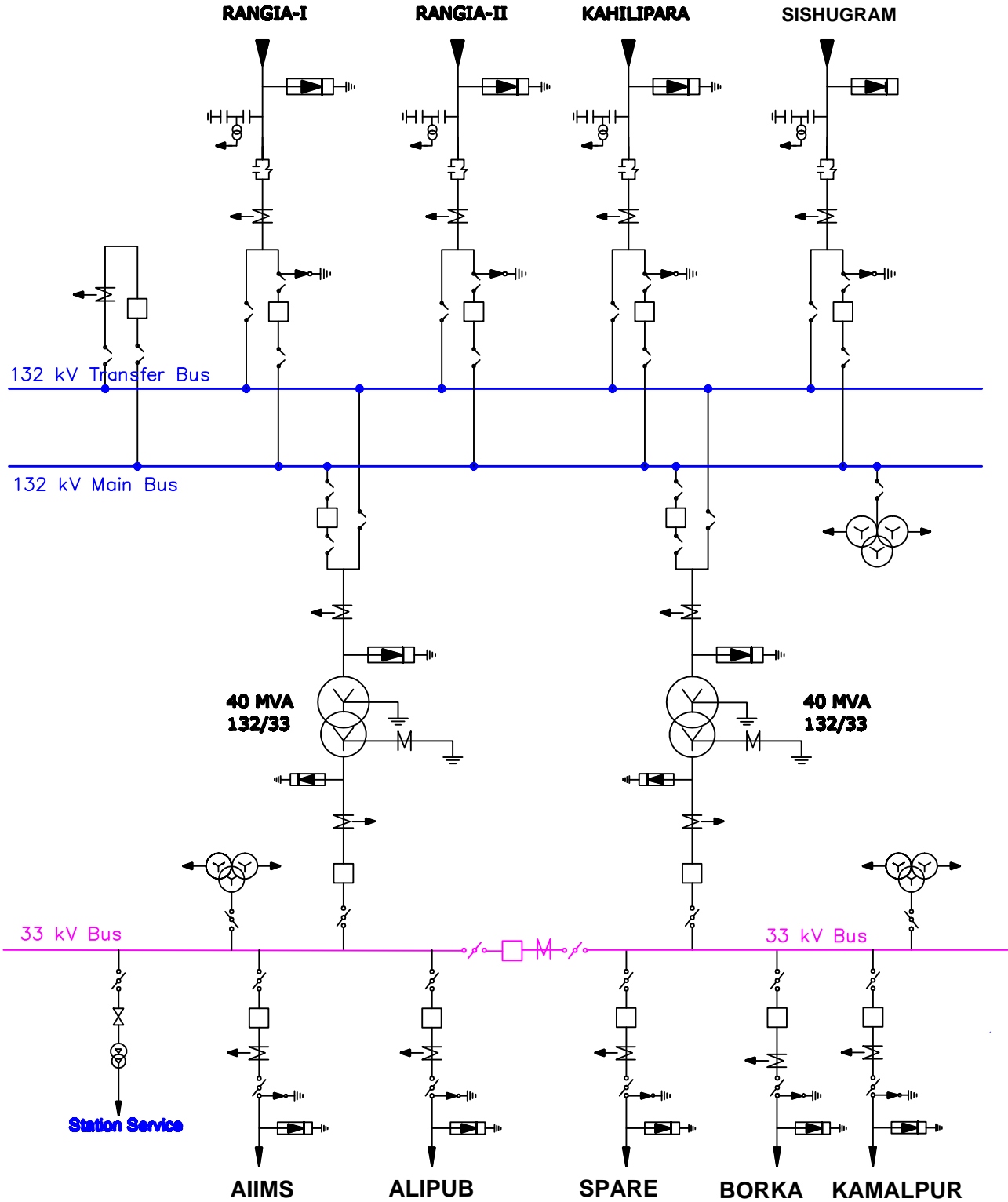


132kV Kamalpur Gss



EQUIPMENT LEGENDS

POWER TRANSFORMER	
CIRCUIT BREAKER	
ISOLATOR WITHOUT EB	
ISOLATOR WITH EB	
CURRENT TRANSFORMER	
POTENTIAL TRANSFORMER	
LIGHTNING ARRESTER	
WAVE TRAP	
CVT	



ASSAM ELECTRICITY GRID CORPORATION LIMITED

132/33KV KAMALPUR GRID SUB-STATION

SINGLE LINE DIAGRAM OF 132/33 KV, KAMALPUR SUBSTATION

DRAWING NO.: AEGCL/KAMALPUR/SLD/34

Sheet: 1 OF 1