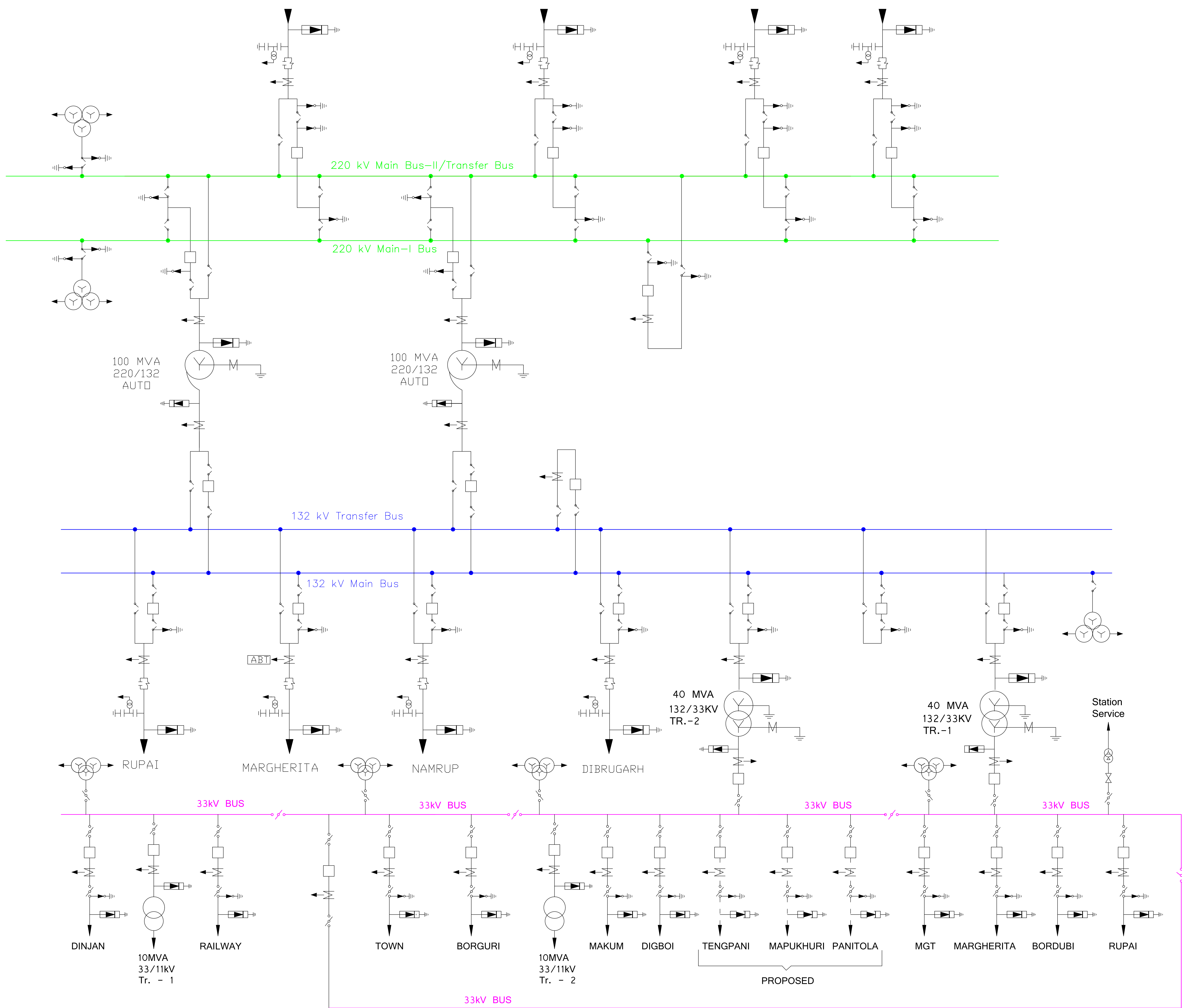


KATHALGURI-I

KATHALGURI-II

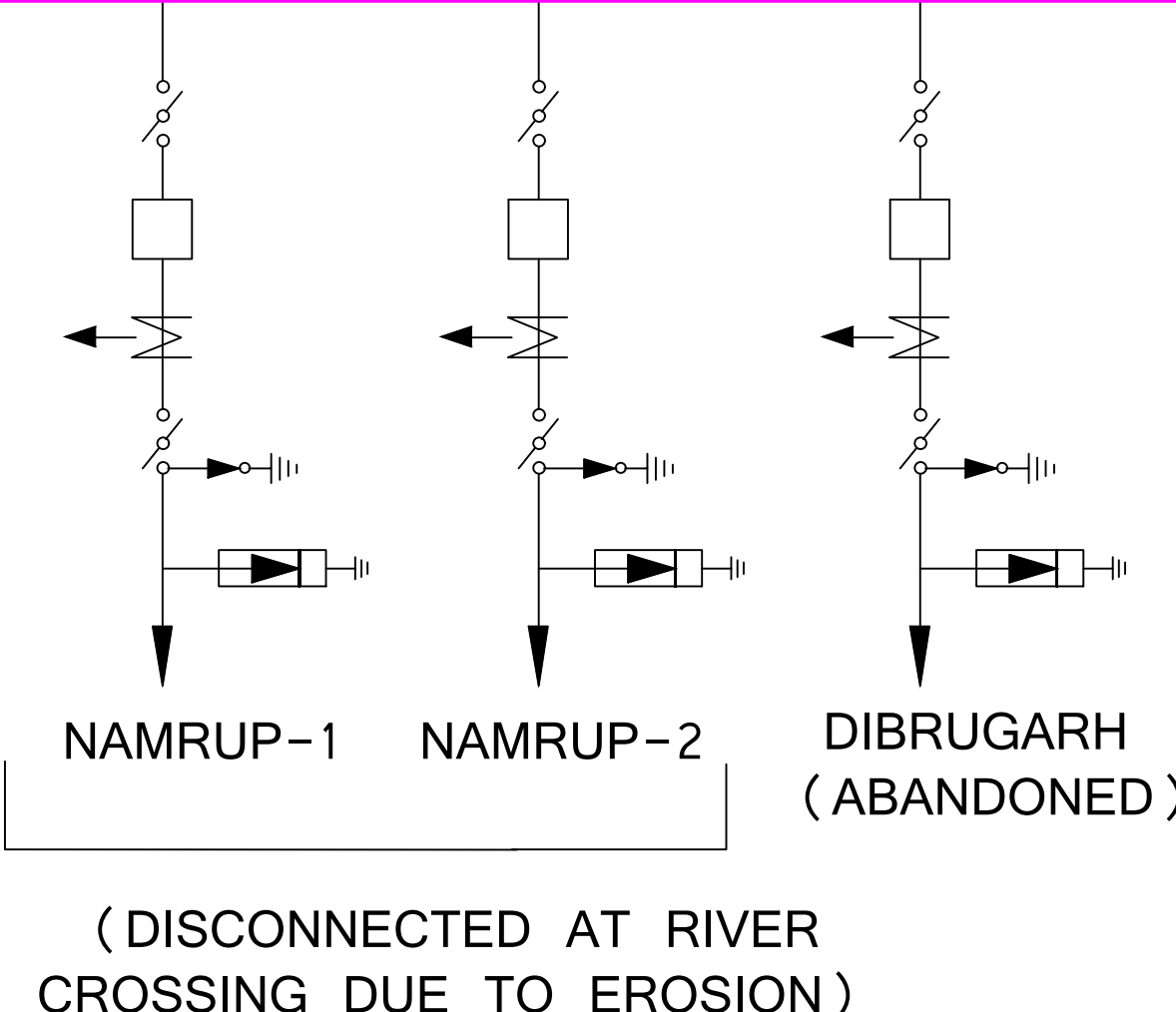
NAMRUP-I

NAMRUP-II



EQUIPMENT LEGENDS

POWER TRANSFORMER	CIRCUIT BREAKER	ISOLATOR WITHOUT EB	ISOLATOR WITH EB	CURRENT TRANSFORMER	POTENTIAL TRANSFORMER	LIGHTNING ARRESTER	WAVE TRAP	CVT
-------------------	-----------------	---------------------	------------------	---------------------	-----------------------	--------------------	-----------	-----



	ASSAM ELECTRICITY GRID CORPORATION LIMITED
220/132/ 33 KV, TINSUKIA SUBSTATION	
SINGLE LINE DIAGRAM OF 220/132/ 33 KV, TINSUKIA SUBSTATION	
DRAWING NUMBER: AEGCL/TINSUKIA/SLD/04	Sheet: 1 OF 1