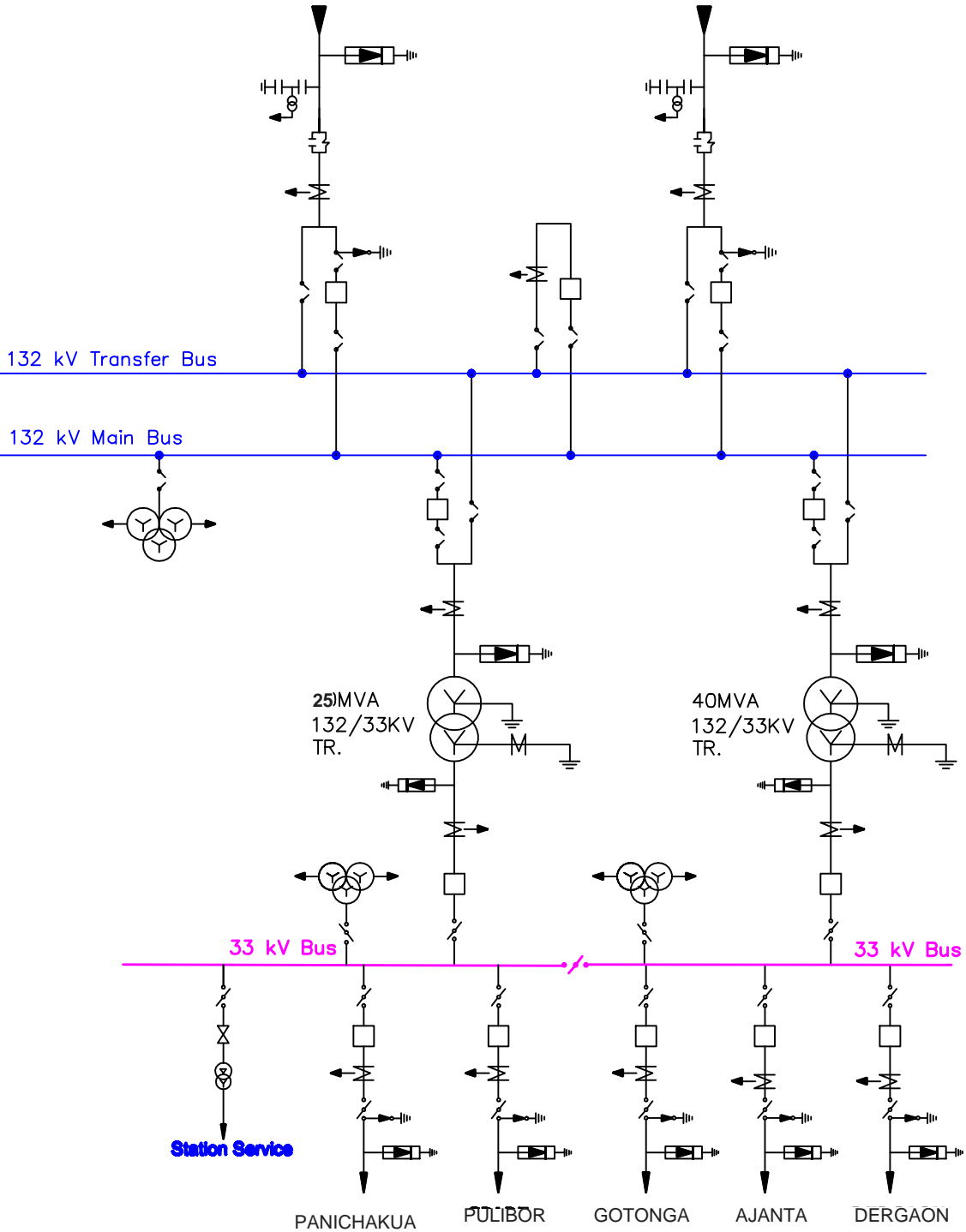


BOKAKHAT

JORHAT (GORMUR)



EQUIPMENT LEGENDS

POWER TRANSFORMER	CIRCUIT BREAKER	ISOLATOR WITHOUT ES	ISOLATOR WITH ES	CURRENT TRANSFORMER	POTENTIAL TRANSFORMER	LIGHTNING ARRESTER	WAVE TRAP	CVT

ASSAM ELECTRICITY GRID CORPORATION LTD.
 JORHAT (WEST) 132/33 KV
 SUBSTATION

DRAWING_TITLE SINGLE LINE DIAGRAM	
DRAWING_NUMBER AEGCL/JORWST 88/SLD/50	SHEET 1 OF 1