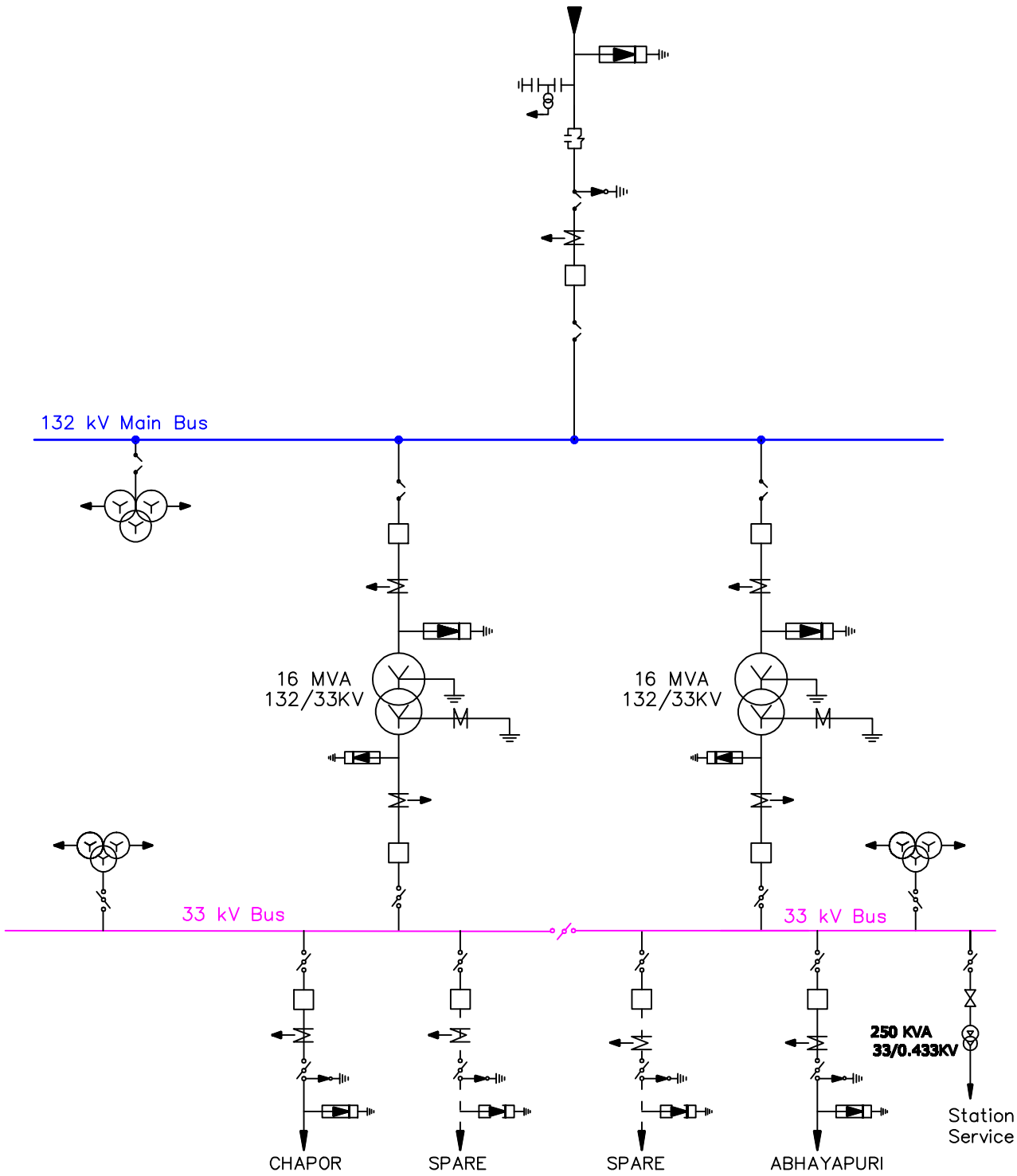


DHALIGAON



EQUIPMENT LEGENDS

POWER TRANSFORMER	
CIRCUIT BREAKER	
ISOLATOR WITHOUT EB	
ISOLATOR WITH EB	
CURRENT TRANSFORMER	
POTENTIAL TRANSFORMER	
LIGHTNING ARRESTER	
WAVE TRAP	
CVT	



ASSAM ELECTRICITY GRID CORPORATION LIMITED

APM (JOGIGHOPA) SUBSTATION

SINGLE LINE DIAGRAM OF 132/33 KV, APM (JOGIGHOPA) SUBSTATION

DRAWING NUMBER: AEGCL/APM/SLD/2

Sheet: 1 OF 1