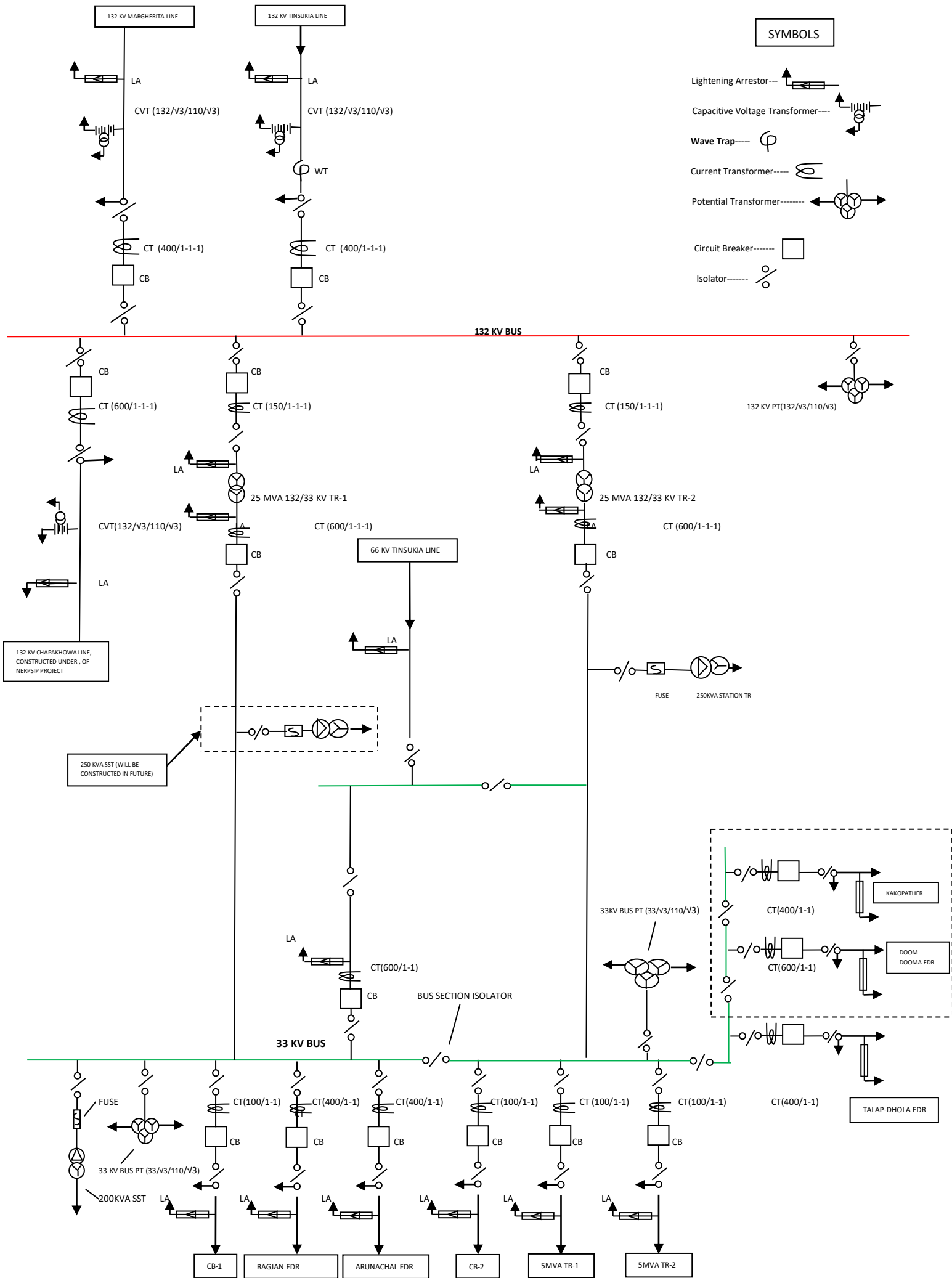


# SINGLE LINE DIAGRAM OF 132 KV RUPAI GSS



## SYMBOLS

- Lightning Arrestor---
- Capacitive Voltage Transformer----
- Wave Trap----
- Current Transformer-----
- Potential Transformer-----
- Circuit Breaker-----
- Isolator-----